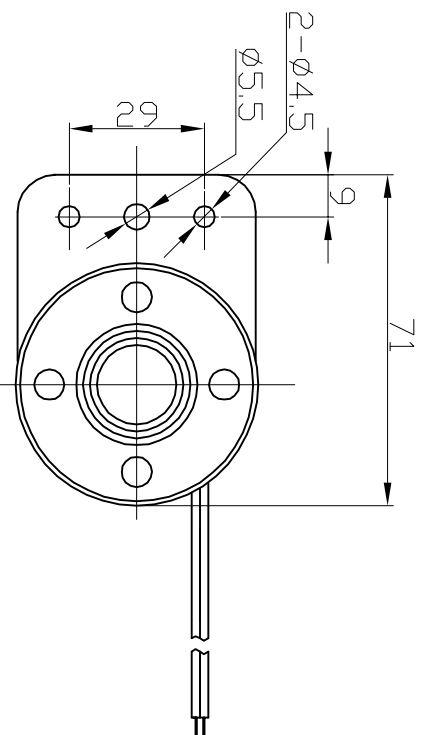
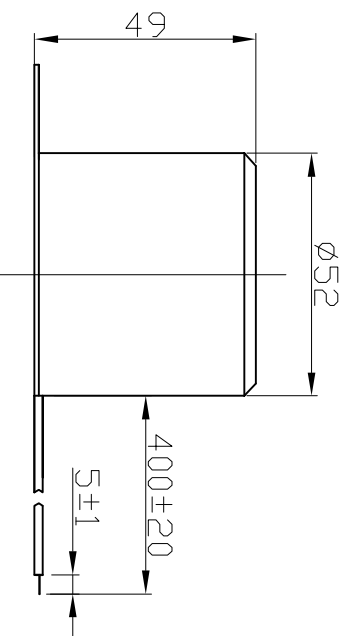


Specification

(Test Condition, 25°C)

1. Housing Material/ Color ABS / Black
2. Rated Voltage 12VDC
3. Range Voltage 8-15 VDC
4. S.P.L. min. 105dB(at 1 meter, 12VDC)
5. Current Draw 280 mA Max.(at12 VDC)
6. Tone Nature Siren
7. Load Test 8 Hours (at 12 VDC)
8. Heat Test 8 Hours (at 60°C)
9. Operating Temperature range -20 ~ +65°C
10. Wires Connection Red +12V
Black GND
11. Weight 80 ±10 g



No.		DESCRIPTION		APPROVED		DATE	
DRAWN		APPROVALS		DATE		UNIT	
CHECKED		DATE		SCALE		DRAWING	
APPROVED		DATE		NOT TO SCALE		SHEET	
04.12.31		mm		NOT TO SCALE		KP3.840.410	
KEPO NINGBO KEPO ELECTRONIC CO.,LTD		Piezo Siren		http://www.chinaacoustic.com		VER 1.1	
KPS-5210		DATE		SCALE		SHEET	
DRAWN		APPROVALS		DATE		UNIT	
CHECKED		DATE		SCALE		DRAWING	
APPROVED		DATE		NOT TO SCALE		SHEET	
04.12.31		mm		NOT TO SCALE		KP3.840.410	
KEPO NINGBO KEPO ELECTRONIC CO.,LTD		Piezo Siren		http://www.chinaacoustic.com		VER 1.1	
KPS-5210		DATE		SCALE		SHEET	
DRAWN		APPROVALS		DATE		UNIT	
CHECKED		DATE		SCALE		DRAWING	
APPROVED		DATE		NOT TO SCALE		SHEET	
04.12.31		mm		NOT TO SCALE		KP3.840.410	
KEPO NINGBO KEPO ELECTRONIC CO.,LTD		Piezo Siren		http://www.chinaacoustic.com		VER 1.1	
KPS-5210		DATE		SCALE		SHEET	
DRAWN		APPROVALS		DATE		UNIT	
CHECKED		DATE		SCALE		DRAWING	
APPROVED		DATE		NOT TO SCALE		SHEET	
04.12.31		mm		NOT TO SCALE		KP3.840.410	
KEPO NINGBO KEPO ELECTRONIC CO.,LTD		Piezo Siren		http://www.chinaacoustic.com		VER 1.1	